

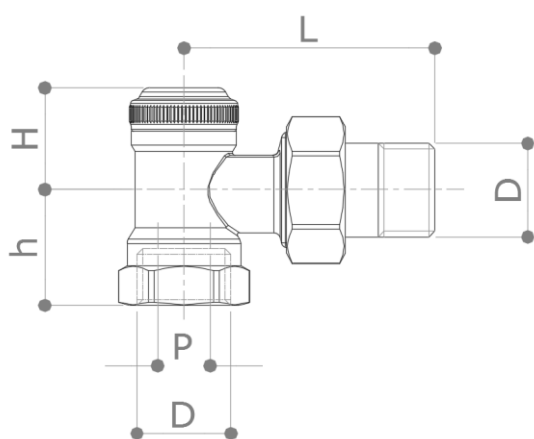


DESCRIPTION

650DIN

Angle micrometric radiator lockshield valve. Pre-arranged for radiator draining (with Art. 99SP). Female thread. Nickel-plated.

DIMENSIONS



D	1/2"
H	23.5
h	27
L	57
P	11
Weight [g]	220

Dimensions in **mm**

All threads are conform to ISO 7 or ISO 228 standards.

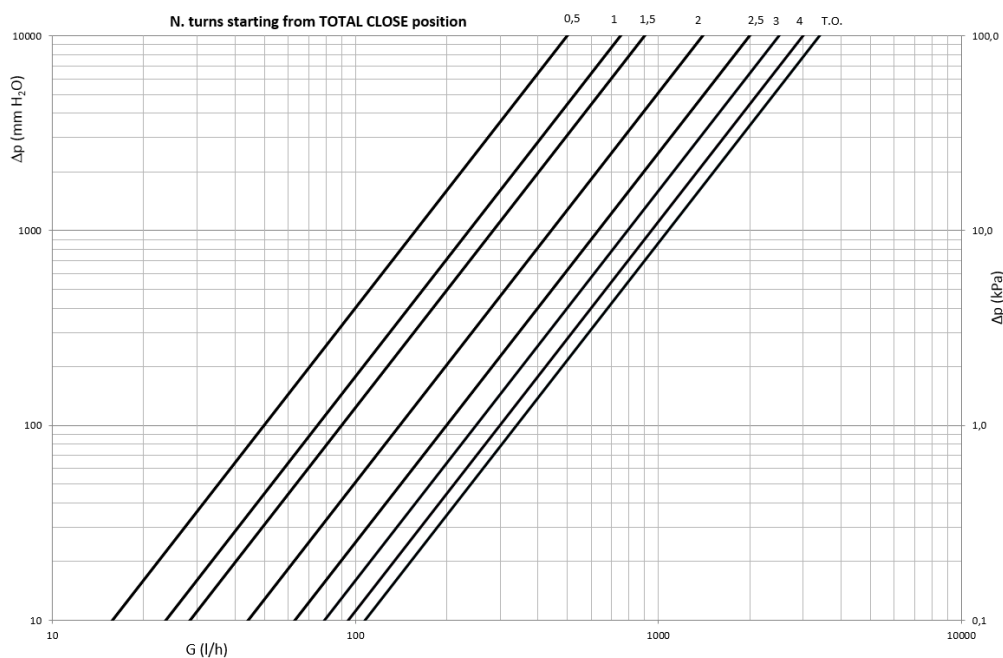
MATERIALS

Body	CW617N (EN 12165) CuZn40Pb2
Tail	CW617N (EN 12165) CuZn40Pb2
Nut	CW617N (EN 12165) CuZn40Pb2
O-ring	NBR cap + EPDM shutter
Guide	CW614N (EN 12164) CuZn39Pb3
Shutter	CW614N (EN 12164) CuZn39Pb3
Cap	CW614N (EN 12164) CuZn39Pb3

RECOMMENDED WORKING PRESSURE / TEMPERATURE LIMITS

10 bar - 110°C - non shock

PRESSURE DROP DIAGRAM



Dim.	3/8" - 1/2" - 3/4"							
Turns	0.5	1	1.5	2	2.5	3	4	T.O.
Kv	0.5	0.75	0.9	1.4	2	2.5	3	3.4

T.O. = Total Open